



News Release

Festo Breaks Price/Performance Barriers with New Multi-Axis Gantry

The EXCL checks all the boxes for affordability, performance, flexibility, footprint, and integration.

ISLANDIA, NY, February 27, 2023 — [Festo](#) introduces the EXCL, a multi-axis gantry kit that lowers acquisition, engineering, and assembly costs for automated sample handling and liquid dispensing in laboratory devices. **(SLAS, Feb. 25 – March 1, San Diego Convention Center, Booth #837)**

The EXCL can accommodate two independently transversable Z-axes. With dual independent axes, one axis can handle samples while the other manages liquids, or one axis decaps and caps sample vials while the other handles liquid. Not only do independently transferable Z-axes boost performance, but they also eliminate the need for two standalone devices, reducing footprint and costs. And the EXCL saves integration time when both applications reside in the same footprint. The EXCL's printed circuit board controller mounts within the device. No special control cabinet is required.

EXCL seamlessly integrates with all Festo pipette heads, including the new DHOP closed-loop unit and the popular EHMD rotary gripper for decapping and capping. Festo components feature interoperability, which reduces engineering time and lowers risk.

Media Contact:
Marketingmgr.us@festo.com

Festo Corporation

1377 Motor Parkway
Suite 310
Islandia, NY 11749
Tel: 631.435.0800
Fax: 631.231.9215
www.festo.us

The EXCL features an open-source motion and fluidic application programming interface for PC control with common programming languages such as G-Code. By utilizing a library of common drivers, Festo reduces the learning curve and enables device manufacturers to develop an optimized control strategy. Manufacturers gain flexibility and the ability to customize, eliminating any need to purchase a generic machine and then adapt their test or assay solution to it. Instead, manufacturers build a unique machine with world-leading Festo mechatronics.

Festo Life Science personnel work with device manufacturers from inception, which bring products to market faster, with less engineering overhead and risk. Components for the gantry, including extrusions, are available off the shelf, easing supply chain and support worries common with custom components. Festo's global economies of scale give OEMs cost advantages compared to designing and assembling their own gantries.

Festo ships the EXCL as a kit, ensuring fast, trouble-free assembly. Gantries come with a unique part number for each OEM, which lowers procurement time and simplifies reordering. Festo supports EXCL globally through its network of regional service centers.

For more information on Festo Life Science solutions – dispensing liquids, controlling gases, and handling and gripping vials – email



News Release

Media Contact:
Marketingmgr.us@festo.com

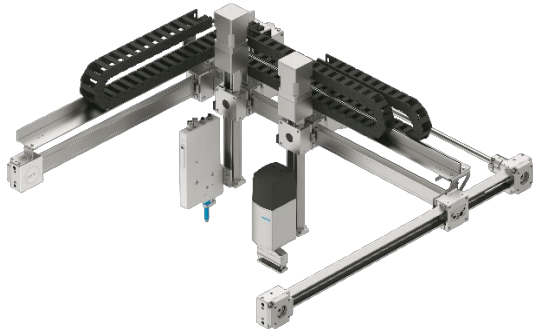
Festo Corporation

1377 Motor Parkway
Suite 310
Islandia, NY 11749
Tel: 631.435.0800
Fax: 631.231.9215
www.festo.us

life.sciences.nam@festo.com and visit Festo Laboratory Automation.

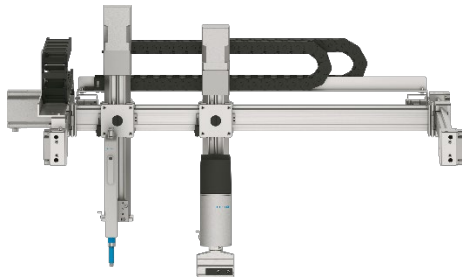
Visit www.festo.us for the full range of products.

[Download images here](#)



EXCL gantry top view

The EXCL gantry can accommodate two independent Z-axes. On the right: a rotary gripper for decapping and capping; on the left: a pipette system aspirates and dispenses.



EXCL gantry front view

Festo ships the EXCL as a kit, ensuring fast, trouble-free assembly. Gantries come with a unique part number for simplified reordering.

About Festo U.S.

Festo is a leading manufacturer of pneumatic and electromechanical systems, components, and controls for process and industrial automation. Celebrating 50 years in the U.S., Festo Corporation has continuously elevated the state of manufacturing with innovations and optimized motion control solutions that deliver higher performing, more profitable automated manufacturing and processing equipment. Through advanced technical and industrial education, Festo Didactic Learning Systems and its partners prepare workers for current and future manufacturing technologies.

Connect with Festo: [Facebook](#), [LinkedIn](#), [Twitter](#) and [YouTube](#)

FESTO

News Release

Media Contact:
Marketingmgr.us@festo.com

Festo Corporation

1377 Motor Parkway
Suite 310
Islandia, NY 11749
Tel: 631.435.0800
Fax: 631.231.9215
www.festo.us